

ATLAS 100

BENCHMOUNT | WALLMOUNT

AIR-COOLED

OZONE GENERATORS

ATLAS 100

AIR-COOLED OZONE GENERATOR

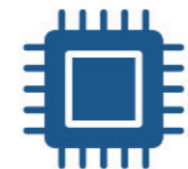
LET'S PUT OZONE TO WORK
FOR YOU

**EFFECTIVELY RELIABLY AND
ECONOMICALLY**



Best Performance

Unparalleled for Air-cooled



High-Quality Components

5-year Warranty



Compact Design

Easy to integrate



Smart

Diagnostic & Control systems

SMARTEST OZONE GENERATOR IN THE WORLD

ADVANCED ON-BOARD PROTECTION & CONTROL SYSTEM

Introducing iOzone™, the cutting-edge operating system from Absolute Ozone®. Featuring a 5-inch LCD, this innovative system boasts state-of-the-art diagnostic and control systems to ensure uninterrupted 24/7 ozone production and minimize downtime.



iOzone™ diagnostics/control system

Designed to protect against installation or usage issues like incorrect gas pressure, high ambient temperatures, flooded ozone cells, wiring/voltage problems and more.



LCD screen

The LCD screen will allow touch to switch the generator on and off and to adjust the desired power.



Remote control

The instrument comes with 4-20mA Remote Control Inputs, allowing for precise device control via external signals.



DESIGN

COMPACT AND EFFICIENT OZONE GENERATORS

- **Most compact in the Industry:**

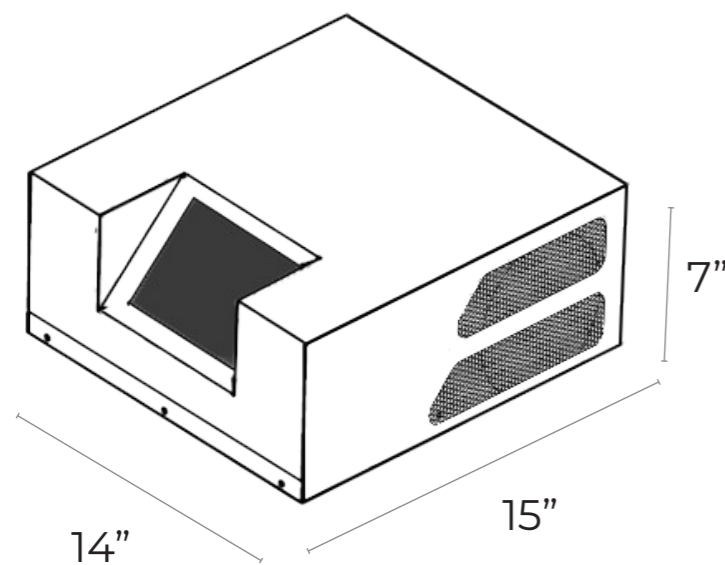
ATLAS 100 - Absolute Ozone® Generators have dimensions of 14" x 15" x 7" Only! – saves valuable space and money on shipping.

- **Stacking Component:**

Absolute Ozone® generators have a stacking component for multiple units, allowing for desired ozone concentration and future expansion up to 5 kg/h or more.

- **Reversible Universal Mounting Flange:**

Our ozone generator has reversible mounting flanges, making it flexible for horizontal and vertical setups, optimizing accessibility in any industrial environment.



HIGH-PERFORMANCE OZONE GENERATORS

ABSOLUTE OZONE® GENERATORS WILL SAVE YOUR MONEY

- **5-Year Warranty**

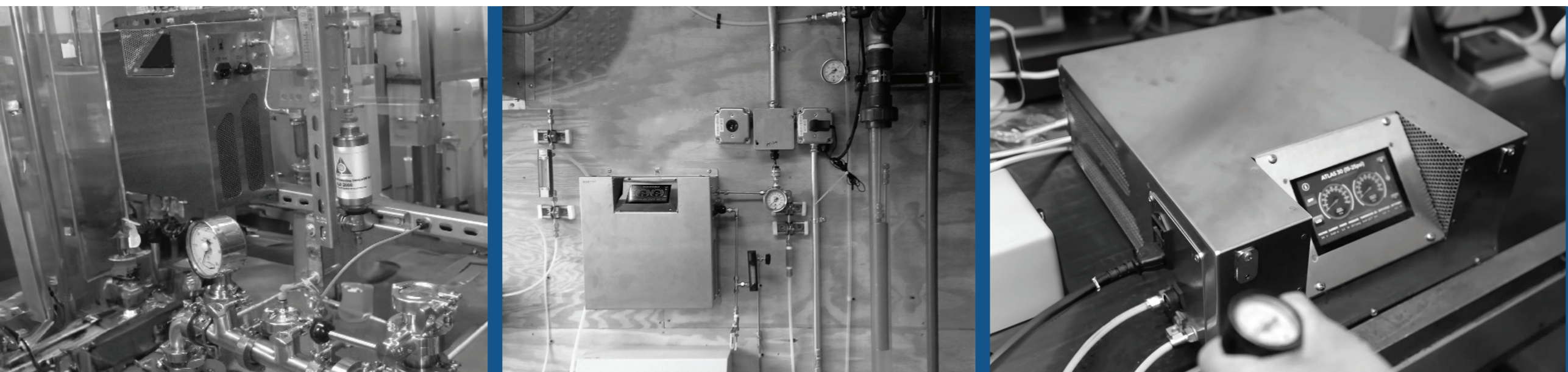
Peace of mind with our 5-year warranty, plus a performance guarantee. Our reliable Absolute Ozone® generators save you money on repairs and downtime.

- **Technical Support**

Our technical assistance to our customers is complimentary, unlimited and absolutely free of charge.

- **Crafted for reliability and performance**

Exceptional reliability. Leak-proof design tested up to 150 PSIG, corrosion-resistant stainless steel enclosure, highest quality components.



UNPARALLELED PERFORMANCE

EXPERIENCE UNBEATABLE AND GUARANTEED PERFORMANCE

Absolute Ozone® unbeatable ATLAS 100 ozone generator dissolves more ozone than any other, delivering superior disinfection rates.

Absolute Ozone® generators are the ultimate breakthrough in ozone technology. Their microfluidic platform design ensures precise and reliable delivery of ultra-pure and high-concentration ozone for a diverse range of applications.

The performance is unequaled in the industry, with the capability of reliably producing high concentration ozone up to 12% by weight.

Oxygen Flow	Gas Press. (PSIG)	Power (%)	Ozone Conc. (g/Nm ³)	Ozone Prod. (g/h)	Ozone Conc. (%w/w)
1	30	32%	240.9	12.8	16.0
24	50	100%	76.4	100.7	5.3

SPECIFICATIONS

Ozone (O ₃) Production:	100 g/h
Working Pressure:	20-50 PSIG
Concentration:	12% by weight Guaranteed
Feed Gas (O ₂) Flow Rate:	0.1- 25 SLPM
Dimensions:	14 x 15 x 7 inches (WxDxH)
Weight:	35 lbs.
Control Power Requirements:	120 V ~ +/-10%, 50/60 Hz, Single Phase, 5.6 A 220 V ~ +/-10%, 50/60 Hz, Single Phase, 3.0 A
Maximum Power Consumption:	770W
Remote Control:	4-20mA Remote Control Inputs
Physical Connections:	O ₂ Inlet: 0.25" SS316 Comp. Connector O ₃ Outlet: 0.25" SS316 Comp. Connector

APPLICATIONS

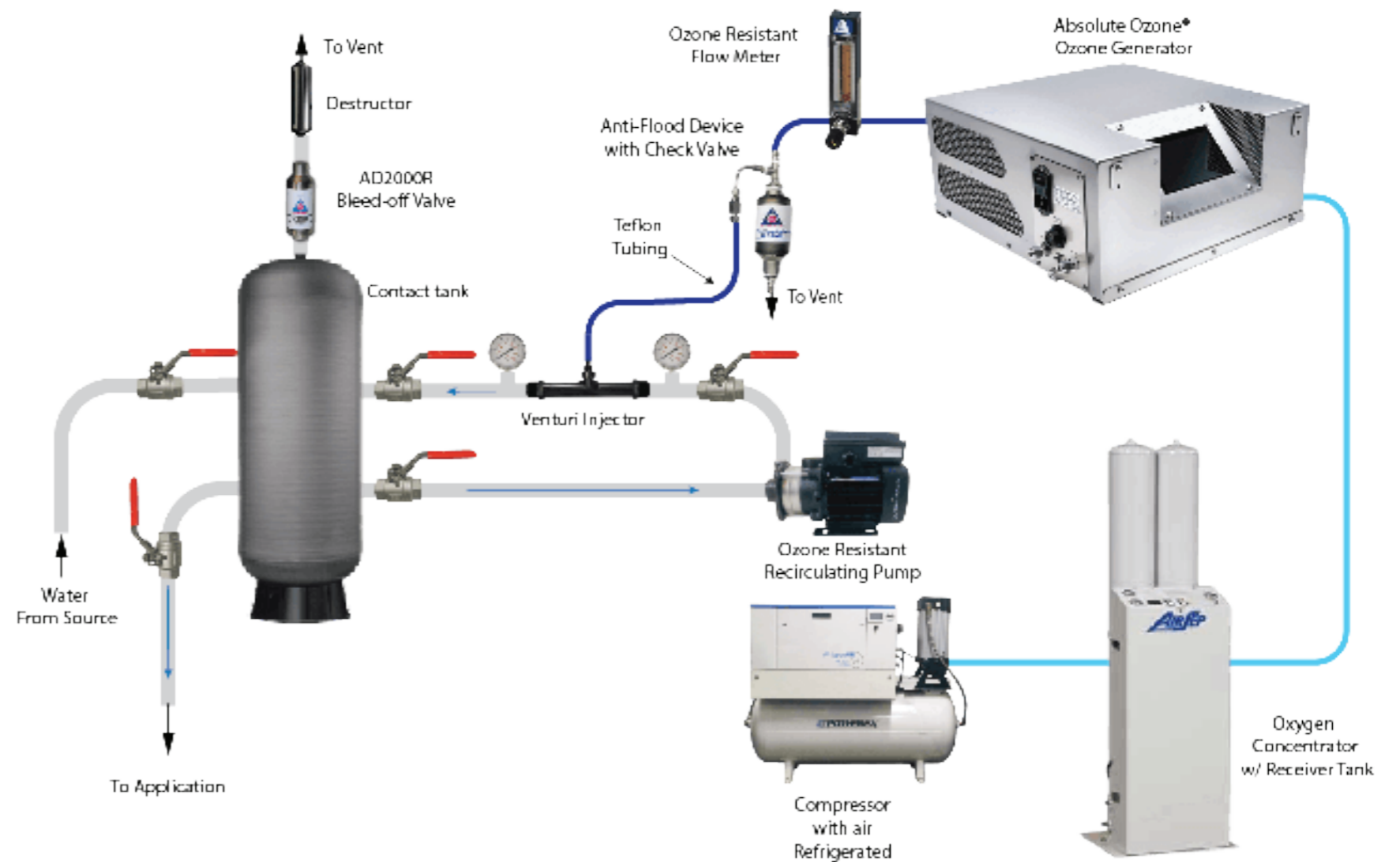
DISCOVER THE BEST SOLUTION FOR YOUR APPLICATION

Today, Ozone is being implemented in a continually expanding array of applications. At Absolute Ozone®, we are focusing our efforts on the applications and markets in which we can make significant impacts.

- Wastewater Treatment
- Drinking Water Treatment
- Water Parks, Swimming Pools, Spas
- Air & Soil Remediation
- Aquaculture, Zoos & Hatcheries
- Food Processing & Storage
- Laboratory
- Semiconductor
- Laundry Applications
- Agriculture
- Cosmetics
- Livestock and Poultry
- Medical
- Ozone Therapy

...and many more.

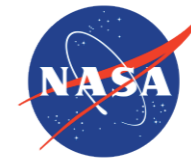
Typical Ozone Installation Diagram



OUR CUSTOMERS

JUST A FEW OF THE MAJOR BRANDS & COMPANIES THAT RELY ON ABSOLUTE OZONE GENERATORS

For the past three decades, we have consistently delivered reliable and highly efficient ozone generators to our valued clients. These systems have not only proven instrumental in their operations but have also led to substantial cost savings.



Absolute Ozone®, a leader in ozone generation technology since 1985, supplies top-tier ozone generators to 100+ countries worldwide.

Over three decades, we have focused on ensuring client project success through reliable, economical, and effective ozone generators.

We offer a unique opportunity to our customers by providing the most advanced Absolute Ozone generators, guaranteeing equipment effectiveness, project success, and substantial cost savings.

Our unlimited, complimentary technical assistance is a cornerstone of our commitment to customer support.



Get In Touch



Message Us

office@absoluteozone.com



Address

10712 -181 Street, Edmonton, AB
Canada, T5S1K8



Customer Service

+1 780-486-3200

For more information, please visit our website, Or please feel free to give us a call