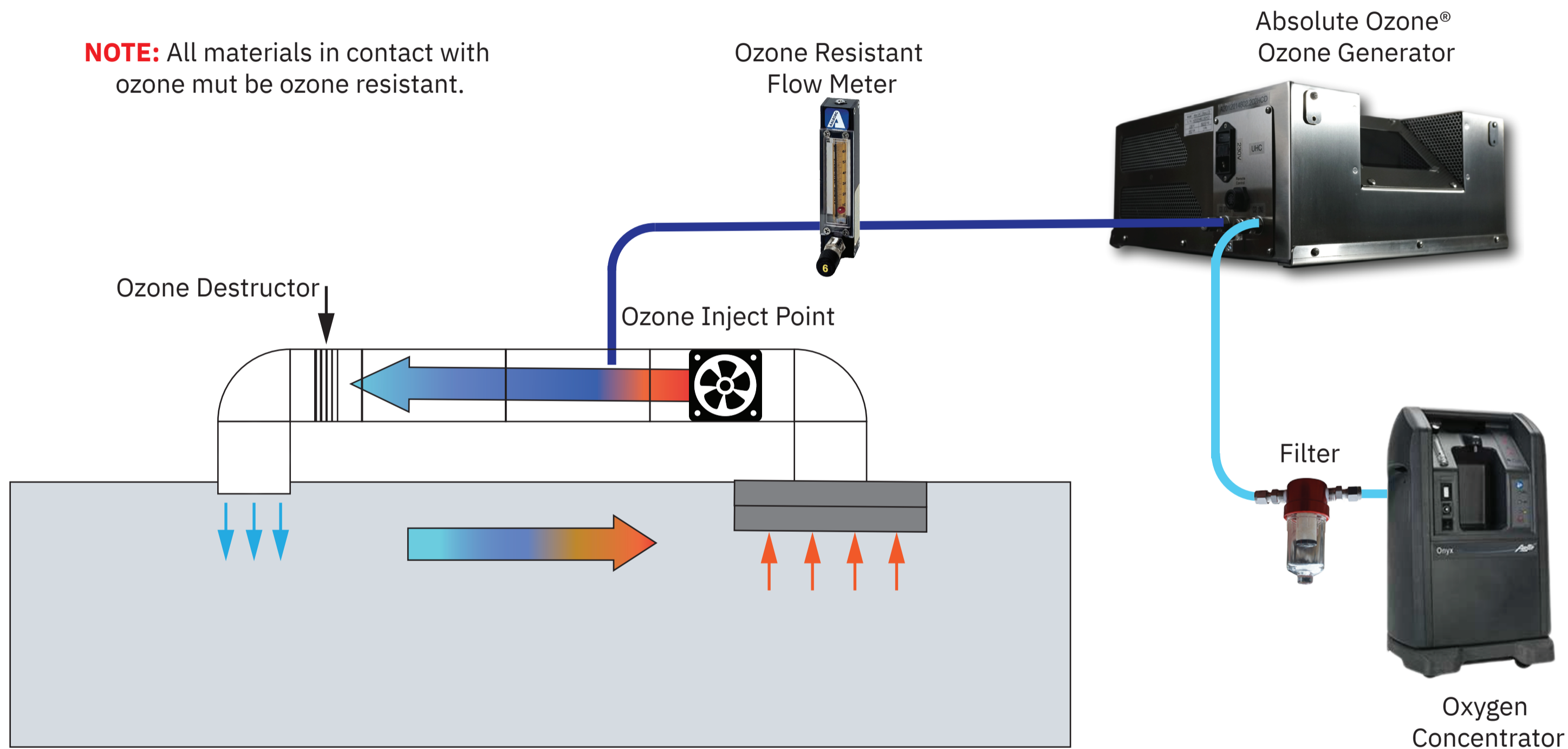


# Ozone Hvac Air Recirculation Diagram

**NOTE:** All materials in contact with ozone must be ozone resistant.



- Desinfected Air
- Ozonated Air
- Infected Air

**Attention:** All Absolute Ozone® generators are designed to work without service, maintenance, or spare parts, for the first 20 years of use if they are installed correctly.

For a good generator performance, it is important to place the generator in a well-ventilated, dust free environment, and maintain the ambient temperature at 20-22 °C