

# AIRSEP AS-D OXYGEN GENERATOR



AirSep Alpha Series Oxygen Generators produce from 20 to 5,500 cubic feet of oxygen per hour at up to 95% oxygen concentration.

When electricity and a source of compressed air is supplied, these dependable machines can provide oxygen for practically any application.

## FEATURES

- Produces oxygen from an independent compressed air source
- Microprocessor controlled
- Low operating cost
- Automatic and unattended operation
- Easy to install and maintain

## SPECIFICATIONS

- Product Flow 37 – 42 SLPM
- Product Pressure 45 – 55 psig
- Product Purity: Up to 95%
- Product Dew Point: -100°F (-73°C)
- Dimensions (WxDxH): 20x16x60 in
- Weight: 361 lb

## Feed Air Requirements

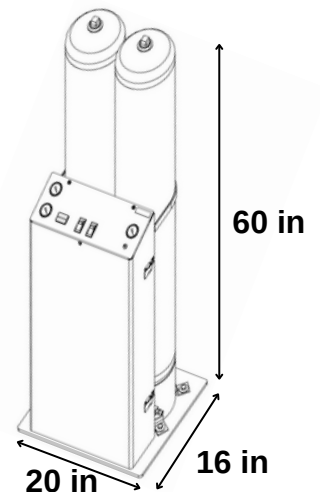
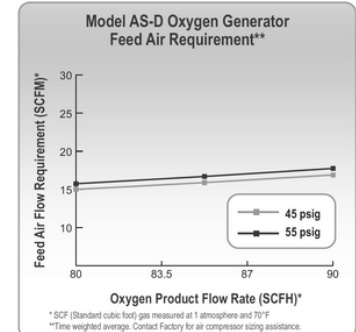
- Clean and Dry "Plant Air" (Class 5.6.4 per ISO 8573.1)
- Pressure: 90 psig minimum
- Temperature: 122°F (50°C) maximum

## Control Power Options

- 120 V ~ ±10%, 50/60 Hz
- 220 V ~ ±10%, 50/60 Hz
- 220 V ~ ±10%, 50/60 Hz With CE Approved Vessels

## Required Accessories

- 60 Gallon Oxygen Receiver
- Accessory Kit KI411-1 (hoses/fittings and oxygen regulator)



# AIRSEP AS-D OXYGEN GENERATOR





## AS-D PSA OXYGEN GENERATOR PARTS & ACCESSORIES

Model	Part #	Description
<b>AS-D</b>	AS102-1	120 V ~ ±10%, 50/60 Hz
	AS102-2	220 V ~ ±10%, 50/60 Hz
	AS102-9	With CE Approved Vessels, 220 V ~ ±10%, 50/60 Hz
<b>Required Accessories</b>	TA150-1	60 Gallon Oxygen Receiver
	KI411-1	Accessory Kit (hoses/fittings and oxygen regulator)
<b>Optional Accessories</b>	TA150-2	60 Gallon Air Tank, 110/120 V, 50/60 Hz
	TA142-1	60 Gallon Air Tank, 110/120 V, 50/60 Hz
	TA142-2	60 Gallon Air Tank, 220/240 V, 50/60 Hz
	KI411-2	Accessories Kit (hoses/fittings, oxygen regulator and oxygen filter)
	KI474-1	Accessories Kit (10 ft stainless braided oxygen hose)
	KI404-1	Accessories Kit (manual switch-over manifold for cylinder backup)
	AN021-1	Oxygen Analyzer (Maxtec Handi)
	AN005-1	Oxygen Analyzer (Maxtec Max O2 Plus)
	AN075-1	Oxygen Analyzer/Sensor (Maxtec Max O2 Plus)
	FM110-0255	Flowmeter
<b>AS-D Mini Pack</b>	AS102-11	120 V ~ ±10%, 50/60 Hz (includes reduced size oxygen receiver)
	AS102-12	220 V ~ ±10%, 50/60 Hz (includes reduced size oxygen receiver)
	AS102-13	With CE Approved Vessels, 220 V ~ ±10%, 50/60 Hz
<b>Required Accessories</b>	KI411-1	Accessories Kit (hoses/fittings and oxygen regulator)
	KI411-2	Accessories Kit ( hoses/fittings, oxygen regulator and oxygen filter)
<b>Optional Accessories</b>	KI474-1	Accessories Kit (10 ft stainless braided oxygen hose)
	KI404-1	Accessory Kit (manual switch-over manifold for cylinder backup)
	AN021-1	Oxygen Analyzer (Maxtec Handi)
	AN005-1	Oxygen Analyzer (Maxtec Max O2 Plus)
	AN075-1	Oxygen Analyzer/Sensor (Maxtec Max O2 Plus)
	FM110-0255	Flowmeter

Shipping Information	AS-D	60 gal Receiver
Class	92.5	70
Commodity Class Number	8421.39.8040	7311.00.0000
Dimensions (L x W x H)	69x29x25 in	30x28x56 in
App. Gross Weight	490 lb	174 lb

**"CALL FOR PRICE"**

 +1 (780) 486 3761  
 office@absoluteozone.com