

AIRSEP AS-E OXYGEN GENERATOR



AirSep Alpha Series Oxygen Generators produce from 20 to 5,500 cubic feet of oxygen per hour at up to 95% oxygen concentration.

When electricity and a source of compressed air is supplied, these dependable machines can provide oxygen for practically any application.

FEATURES

- Produces oxygen from an independent compressed air source
- Microprocessor controlled
- Low operating cost
- Automatic and unattended operation
- Easy to install and maintain
- Touchscreen control panel with integrated oxygen concentration monitor (available on some models)

SPECIFICATIONS

- Product Flow 75 – 92 SLPM
- Product Pressure 45 – 55 psig
- Product Purity: Up to 95%
- Product Dew Point: -100°F (-73°C)
- Dimensions (WxDxH): 33x27x68 in
- Weight: 721 lb

Feed Air Requirements

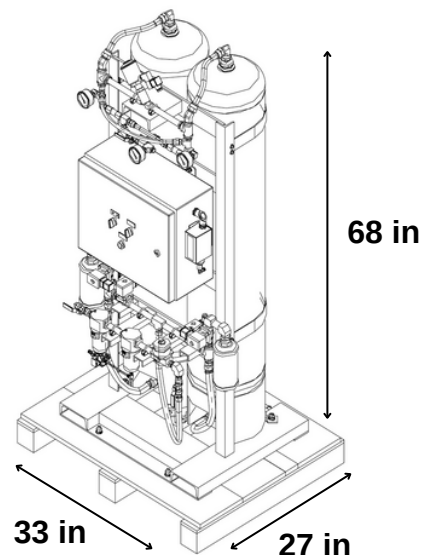
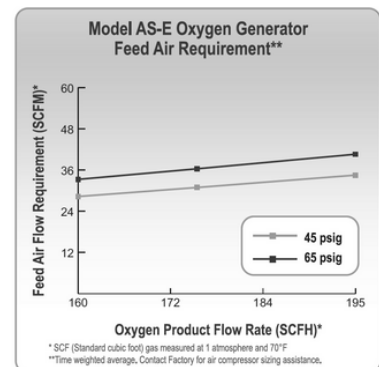
- Clean and Dry "Plant Air" (Class 5.6.4 per ISO 8573.1)
- Pressure: 90 psig minimum
- Temperature: 122°F (50°C) maximum

Control Power Options

- 120 V ~ ±10%, 50/60 Hz
- 220 V ~ ±10%, 50/60 Hz

Required Accessories

- 60 Gallon Oxygen Receiver
- Accessory Kit KI412-1 (hoses/fittings and oxygen regulator)



AIRSEP AS-E OXYGEN GENERATOR



AS-E PSA OXYGEN GENERATOR PRICING

Model	Part #	Description	Price (USD)
	AS103-1	120 V ~ ±10%, 50/60 Hz	17,000.00
	AS103-2	220 V ~ ±10%, 50/60 Hz	17,000.00
	AS103-3	With NEMA4 Pressure Switch, 120 V ~ ±10%, 50/60 Hz	18,125.00
	AS103-4	NEMA4 Pressure Switch, 220 V ~ ±10%, 50/60 Hz	18,125.00
	AS103-7	HMI NEMA4 Touchscreen & integrated O2 analyzer, 120V~ ±10%, 50/60Hz	23,850.00
	AS103-8	HMI NEMA4 Touchscreen & integrated O2 analyzer, 220V~ ±10%, 50/60Hz	23,850.00
AS-E	AS103-9	With CE Vessels, 220 V ~ ±10%, 50/60 Hz	23,525.00
	AS103-10	NEMA 4 Pressure Switch/ Local Remote ON/OFF, 120 V ~ ±10%, 50/60 Hz	18,600.00
	AS103-11	NEMA 4 Pressure Switch/ Local Remote ON/OFF, 220 V ~ ±10%, 50/60 Hz	18,600.00
	AS103-12	With oxygen analyzer, 120 V ~ ±10%, 50/60 Hz	17,625.00
	AS103-13	With Oxygen analyzer, 220 V ~ ±10%, 50/60 Hz	17,625.00
	AS103-16	China Approved Vessels, 220 V ~ ±10%, 50/60 Hz	19,600.00
	AS103-21	HMI NEMA4 Touchscreen & integrated O2 analyzer, 220V~ ±10%,50/60Hz, CE	30,850.00
Required	TA150-1	60 Gallon Oxygen Receiver	1,675.00
Accessories	KI412-1	Accessory Kit(interconnecting hoses/fittings and oxygen regulator)	1,050.00
	TA150-2	60 Gallon Oxygen Receiver, CE-PED	4,500.00
	TA142-1	60 Gallon Air Tank, 110/120 V, 50/60 Hz	2,135.00
	TA142-2	60 Gallon Air Tank, 220/240 V, 50/60 Hz	2,135.00
	KI400-1S	Accessory Kit (supplemental HMI oxygen concentration board sample)	247.00
	KI412-2	Accessory Kit (Hoses/fittings, O2 filter & O2 regulator)	2,425.00
Optional	KI412-3	Accessory Kit (HMI, hoses/fittings, isolation valve with O2 filter & O2 regulator)	2,775.00
Accessories	KI475-1	Accessory Kit (10 ft stainless braided oxygen hose)	365.00
	KI404-2	Accessory Kit (manual switch-over manifold for cylinder backup)	510.00
	KI375-2	Carbon Filter Add-On Kit	560.00
	AN021-1	Oxygen Analyzer (Maxtec Handi)	385.00
	AN005-1	Oxygen Analyzer (Maxtec Max O2 Plus)	950.00
	AN075-1	Oxygen Analyzer/Sensor (Maxtec Max O2 Plus)	280.00
	FM110-0255	Flowmeter	2,907.00

Shipping Information	AS-E	60 gal Receiver
Class	92.5	70
Commodity Class Number	8421.39.8040	7311.00.0000
Dimensions (L x W x H)	41x34x85 in	30x28x56 in
App. Gross Weight	1100 lb	174 lb

"CALL FOR PRICE"



+1 (780) 486 3761



office@absoluteozone.com