

AIRSEP AS-K OXYGEN GENERATOR



AirSep Alpha Series Oxygen Generators produce from 20 to 5,500 cubic feet of oxygen per hour at up to 95% oxygen concentration.

When electricity and a source of compressed air is supplied, these dependable machines can provide oxygen for practically any application.

FEATURES

- Produces oxygen from an independent compressed air source
- Microprocessor controlled
- Low operating cost
- Automatic and unattended operation
- Easy to install and maintain
- Touchscreen control panel with integrated oxygen concentration monitor (available on some models)

SPECIFICATIONS

- Product Flow 353 – 424 SLPM
- Product Pressure 45 – 65 psig
- Product Purity: Up to 95%
- Product Dew Point: -100°F (-73°C)
- Dimensions (WxDxH): 58x38x91 in
- Weight: 2690 lb

Feed Air Requirements

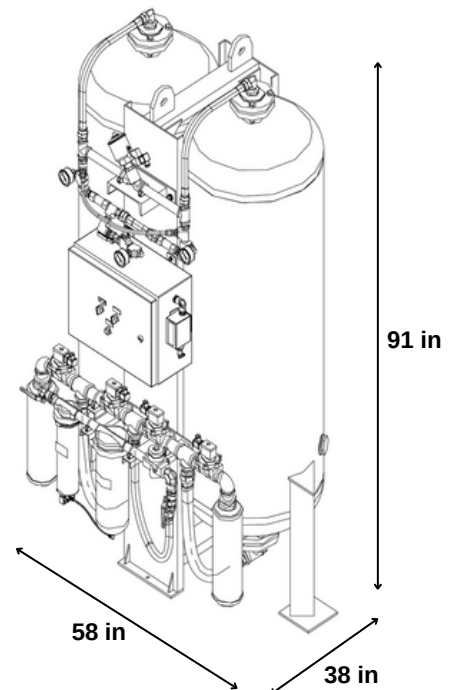
- Clean and Dry “Plant Air” (Class 5.6.4 per ISO 8573.1)
- Pressure: 90 psig minimum
- Temperature: 122°F (50°C) maximum

Control Power Options

- 120 V ~ ±10%, 50/60 Hz
- 220 V ~ ±10%, 50/60 Hz

Required Accessories

- 290 Gallon Oxygen Receiver
- Accessory Kit KI414-1 (hoses/fittings and oxygen regulator)



ORDERING INFORMATION:

ABSOLUTE OZONE
10712-181 ST NW
EDMONTON, ALBERTA, CANADA T5S1K8
PH: +1-780-486-3761
E: OFFICE@ABSOLUTEZONE.COM

AIRSEP AS-K OXYGEN GENERATOR





AS-K PSA OXYGEN GENERATOR PARTS & ACCESSORIES

Model	Part #	Description
AS-K	AS106-1	120 V ~ ±10%, 50/60 Hz
	AS106-2	220 V ~ ±10%, 50/60 Hz
	AS106-3	NEMA4, Pressure Switch, 120 V ~ ±10%, 50/60 Hz
	AS106-4	NEMA4, Pressure Switch, 220 V ~ ±10%, 50/60 Hz
	AS106-7	HMI NEMA4 Touchscreen & integrated O2 analyzer, 120V ~ ±10%, 50/60Hz
	AS106-8	HMI, NEMA4 Touchscreen & integrated O2 analyzer, 220V ~ ±10%, 50/60Hz
	AS106-10	NEMA 4, Pressure Switch/Remote ON/OFF, 120V ~ ±10%, 50/60Hz
	AS106-11	NEMA 4 Pressure Switch/Remote ON/OFF, 220V ~ ±10%, 50/60Hz
	AS106-12	Oxygen analyzer, 120 V ~ ±10%, 50/60 Hz
	AS106-13	Oxygen analyzer, 220 V ~ ±10%, 50/60 Hz
	AS106-16	China Approved Vessels, 220 V ~ ±10%, 50/60 Hz
	AS106-21	HMI NEMA4 Touchscreen & integrated O2 analyzer, 220V ~ ±10%, 50/60Hz, CE
Required	TA152-1	290 Gallon Oxygen Receiver
Accessories	KI414-1	Accessory Kit (interconnecting hoses/fittings and oxygen regulator)
Optional Accessories	TA144-1	290 Gallon Air Tank, 110/120 V, 50/60 Hz
	TA144-2	290 Gallon AirbTank, 220/240 V, 50/60 Hz
	KI400-1S	Accessory Kit (Supplemental HMI oxygen concentration board sample)
	KI414-2	Accessory Kit (Hoses/fittings, O2 filter and O2 regulator)
	KI414-3	Accessory Kit (HMI, hoses/fittings, isolation valve with O2 filter and O2 regulator)
	KI477-1	Accessory Kit (10 ft stainless braided oxygen hose)
	KI375-5	Carbon Filter Add-On Kit
	AN021-1	Oxygen Analyzer (Maxtec Handi)
	AN005-1	Oxygen Analyzer (Maxtec Max O2 Plus)
	AN075-1	Oxygen Analyzer/Sensor (Maxtec Max O2 Plus)
	FM112-1400	Flowmeter

Shipping Information	AS-K	290 gal Receiver
Class	92.5	70
Commodity Class Number	8421.39.8040	7311.00.0000
Dimensions (L x W x H)	97x61x56 in	48x48x85 in
App. Gross Weight	3238 lb	634 lb

“CALL FOR PRICE”

 +1 (780) 486 3761
 office@absoluteozone.com