

AIRSEP AS-J OXYGEN GENERATOR



AirSep Alpha Series Oxygen Generators produce from 20 to 5,500 cubic feet of oxygen per hour at up to 95% oxygen concentration.

When electricity and a source of compressed air is supplied, these dependable machines can provide oxygen for practically any application.

FEATURES

- Produces oxygen from an independent compressed air source
- Microprocessor controlled
- Low operating cost
- Automatic and unattended operation
- Easy to install and maintain
- Touchscreen control panel with integrated oxygen concentration monitor (available on some models)

SPECIFICATIONS

- Product Flow 212 – 283 SLPM
- Product Pressure 45 – 65 psig
- Product Purity: Up to 95%
- Product Dew Point: -100°F (-73°C)
- Dimensions (WxDxH): 42x34x78 in
- Weight: 1771 lb

Feed Air Requirements

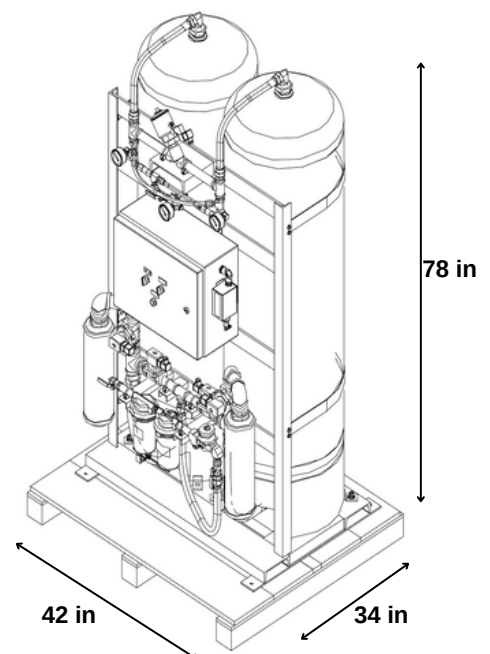
- Clean and Dry “Plant Air” (Class 5.6.4 per ISO 8573.1)
- Pressure: 90 psig minimum
- Temperature: 122°F (50°C) maximum

Control Power Options

- 120 V ~ ±10%, 50/60 Hz
- 220 V ~ ±10%, 50/60 Hz

Required Accessories

- 120 Gallon Oxygen Receiver
- Accessory Kit KI413-1 (hoses/fittings and oxygen regulator)



ORDERING INFORMATION:

ABSOLUTE OZONE
10712-181 ST NW
EDMONTON, ALBERTA, CANADA T5S1K8
PH: +1-780-486-3761
E: OFFICE@ABSOLUTEZONE.COM

AIRSEP AS-J OXYGEN GENERATOR





AS-J PSA OXYGEN GENERATOR PARTS & ACCESSORIES

Model	Part #	Description
	AS105-1	120 V ~ ±10%, 50/60 Hz
	AS105-2	220 V ~ ±10%, 50/60 Hz
	AS105-3	With NEMA4 Pressure Switch, 120 V ~ ±10%, 50/60 Hz
	AS105-4	With NEMA4 Pressure Switch, 220 V ~ ±10%, 50/60 Hz
	AS105-7	HMI NEMA4 Touchscreen & integrated O2 analyzer, 120V~ ±10% 50/60Hz
	AS105-8	HMI NEMA4 Touchscreen & integrated O2 analyzer, 220 V ~ ±10%, 50/60 Hz
AS-J	AS105-9	CE Vessels, 220 V ~ ±10%, 50/60 Hz
	AS105-10	NEMA4 Pressure Switch/Remote ON/OFF, 120V ~ ±10%, 50/60Hz
	AS105-11	NEMA4 Pressure Switch/Remote ON/OFF, 220V ~ ±10%, 50/60Hz
	AS105-12	Oxygen analyzer, 120 V ~ ±10%, 50/60 Hz
	AS105-13	Oxygen analyzer, 220 V ~ ±10%, 50/60 Hz
	AS105-16	China Approved Vessels, 220 V ~ ±10%, 50/60 Hz
	AS105-21	HMI NEMA4 Touchscreen & O2 analyzer, 220V ~ ±10%, 50/60Hz, CE
Required	TA151-1	120 Gallon Oxygen Receiver
Accessories	KI413-1	Accessory Kit (Interconnecting hoses/fittings and oxygen regulator)
	TA134-1	120 Gallon Oxygen Receiver, CE-PED
	TA143-1	120 Gallon Air Tank, 110/120 V, 50/60 Hz
	TA143-2	120 Gallon Air Tank, 220/240 V, 50/60 Hz
	KI400-1S	Accessory Kit (supplemental HMI oxygen concentration board sample)
	KI413-2	Accessory Kit (Hoses/fittings, O2 filter & O2 regulator)
Optional	KI413-3	Accessory Kit (HMI, hoses/fittings, isolation valve with O2 filter & O2 regulator)
Accessories	KI476-1	Accessory Kit (10 ft stainless braided oxygen hose)
	KI404-3	Accessory Kit (Manual switch-over manifold for cylinder backup)
	KI375-4	Carbon Filter Add-On Kit
	AN021-1	Oxygen Analyzer (Maxtec Handi)
	AN005-1	Oxygen Analyzer (Maxtec Max O2 Plus)
	AN075-1	Oxygen Analyzer/Sensor (Maxtec Max O2 Plus)
	FM111-0800	Flowmeter

Shipping Information	AS-J	120 gal Receiver
Class	92.5	70
Commodity Class Number	8421.39.8040	7311.00.0000
Dimensions (L x W x H)	50x42x86 in	40x40x85 in
App. Gross Weight	2053 lb	354 lb

"CALL FOR PRICE"

 +1 (780) 486 3761
 office@absoluteozone.com