

ABSOLUTE OZONE®

NANO 15

15 G/H AIR-COOLER OZONE GENERATOR



In 2021 there is a much better way to dissolve ozone into water. Many ozone generators are producing ozone at 3% by weight concentration, hardly achieving 30% of total ozone dissolved while wasting large amounts of feed oxygen. The NANO 15 can dissolve up to 70% of total ozone produced while using incredibly low amounts of oxygen (4SLPM). That's more than double the ozone dissolved! Imagine replacing two bulky expensive inefficient ozone generators with one sleek, compact NANO ozone generator.

SPECIFICATIONS

NANO 15

Ozone (O₃) Production:	0 - 15 g/h
Working Pressure:	20 PSIG
Concentration:	5 - 10% by weight Guaranteed
Feed Gas (O₂) Flow Rate:	0.1-4 SLPM

Control Power Requirements:	120 V ~ +/-10%, 50/60 Hz, Single Phase, 5.0 A 220 V ~ +/-10%, 50/60 Hz, Single Phase, 3.5 A
------------------------------------	--

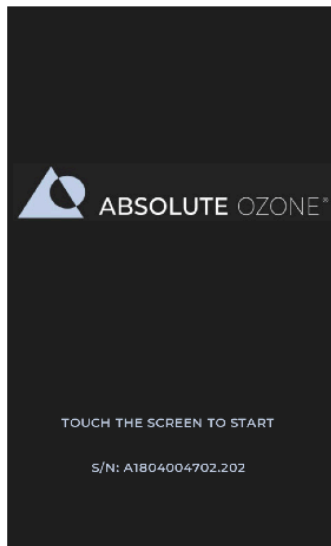
Physical Connections:	O ₂ Inlet: 0.25" SS316 Comp. Swagelok Type Connector O ₃ Outlet: 0.25" SS316 Comp. Swagelok Type Connector
------------------------------	---

NEW FEATURES

SMARTEST OZONE GENERATOR IN THE WORLD

Introducing the first of its kind SMART ONBOARD CONTROL & DIAGNOSTICS SYSTEM included on all Absolute Ozone I ozone generators. This new technology delivers prompts on the display which allows the operator the ease and convenience to monitor most operating parameters including temperature, pressure, voltage, and more all on the convenience of a touch-screen 5" LCD display. Moreover, the control system is designed to maintain constant ozone production during voltage fluctuations (within range), adjust power automatically to accommodate for different or fluctuating gas pressures, automatically lower power if operating in hot ambient temperature, and more!

NEW DISPLAY TO MONITOR PERFORMANCE



The LCD screen displays the following parameters:

- Selected power setting %, so you will be able to see on the screen power selected by the remote control or slider
- Actual system power (% & Watt)
- The system voltage (V)
- The System Current (Amp)
- The temperature inside the ozone cell
- The LCD screen will allow by touch to switch the generator on and off and to adjust desired power by moving the slider on the screen with your finger up or down

ON-BOARD LIVE AUTOMATIC DIAGNOSTICS

In a case when incorrect operating parameters are applied to an ozone generator the unit is switched off by the control system and the LCD screen will indicate which parameters caused the generator shutdown.

In a safety shutdown mode, the generator will be constantly monitoring operating parameters, and the moment they are corrected the generator will restart automatically, without any assistance.

WARNING!

OZONE CELL TEMPERATURE TOO HIGH

CHECK AMBIENTE TEMPERATURE AND/OR AIR FLOW THROUGH OZONE GENERATOR FOR OBSTRUCTIONS

WARNING!

OZONE CELL PRESSURE TOO LOW

CORRECT THE PROBLEM BY REMOVING POSSIBLE RESTRICTIONS ON O2 LINE AND ADJUST O3 FLOW ACCORDING TO PERFORMANCE CHART

WARNING!

OZONE CELL PRESSURE TOO HIGH

ADJUST PRESSURE REGULATOR TO SPECIFIED WORKING PRESSURE TO CORRECT PROBLEM

WARNING!

OZONE CELL CONTAMINATION

PLEASE ELIMINATE SOURCE OF CONTAMINATION AND CONTACT SERVICE FOR FURTHER INSTRUCTIONS

WARNING!

SUPPLY VOLTAGE TOO LOW

CHECK WIRING AND SUPPLY VOLTAGE AND CORRECT BEFORE TURNING ON OZONE GENERATOR AGAIN

WARNING!

SYSTEM COMMUNICATION PROBLEM

OZONE GENERATOR WILL AUTO-RESTART IN PROBLEM PERSISTS PLEASE CONTACT SERVICE IMMEDIATELY

WARNING!

OZONE SENSOR PROBLEM

OZONE GENERATOR WILL AUTO-RESTART IN PROBLEM PERSISTS PLEASE CONTACT SERVICE IMMEDIATELY

WARNING!

SUPPLY VOLTAGE TOO HIGH

CHECK WIRING AND SUPPLY VOLTAGE AND CORRECT BEFORE TURNING ON OZONE GENERATOR AGAIN

WARNING!

INCORRECT REMOTE CONTROL VOLTAGE

PLEASE CORRECT R/C WIRING AND OZONE GENERATOR WILL AUTO-RESTART SEE MANUAL FOR MORE INFO

PERFORMANCE

UNPARRALLED FOR AIR COOLED PERFORMANCE

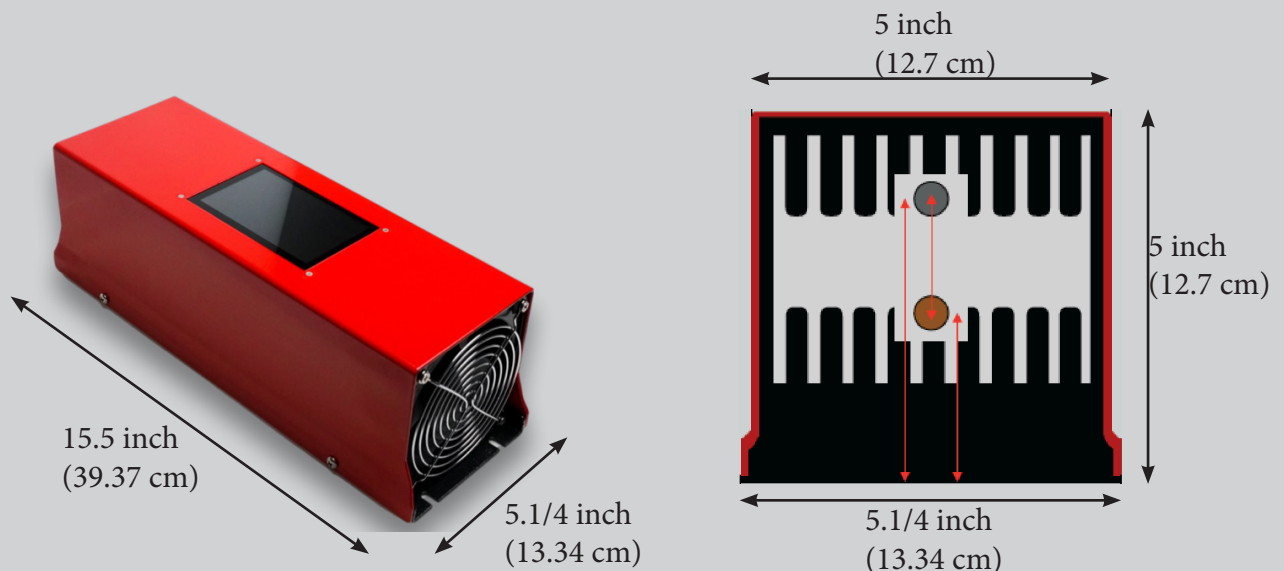
Absolute Ozone | Ozone Generators produce ozone unsurpassed by competitors' high concentration ozone. Laws of physics dictate that the maximum amount of ozone dissolved in water is proportional to the ozone concentration produced by the ozone generator. Therefore, a BLUE-TECH ozone generator will dissolve more ozone in water and provide higher disinfection rates in comparison to most 60g/h ozone generators available on the market today. This high efficiency and high concentration ozone will save the user as much as \$12,000 on the price of the ozone system even for a small-scale system.

To see more details regarding calculations, please visit www.ozone-generator.com

Oxygen Flow	Gas Press. (PSIG)	Power (%)	Ozone Conc. (g/Nm ³)	Ozone Prod. (G/H)	Ozone Conc. (%w/w)
0.5	20	45%	177.40	4.76	11.92
4.0	20	100%	68.30	15.03	4.70

DESIGN

Absolute Ozone | Ozone Generators have a modular design and come standard with special universal flanges and tabs that allow the user not only to mount the ozone generator in any position but to stack them and connect multiple ozone generators in stacks to achieve any ozone concentration required or in to expand the ozone system in the future if necessary to total ozone production up to 5kg/h or higher.



All parts and components used in Absolute Ozone | Ozone generators have been designed to work for 15-20 years and do not require any repairs or replacements, saving a substantial amount of money over that period of time and offering the lowest TCO (Total Cost of Ownership) in the industry. Leak-proof construction tested at up to 150 PSIG, corrosion-resistant stainless steel or aluminum enclosure, highest quality components, and materials used, further enhance reliability. Result: No downtime, No hidden costs.

5-YEAR WARRANTY - THE ONLY PERFORMANCE GUARANTEE IN THE INDUSTRY

5 Years Parts and Labour Warranty + The Only Performance Guarantee in the Industry*. We are confident that Absolute Ozone generators will provide great performance and reliability for many years of service saving you money on repairs and downtime.

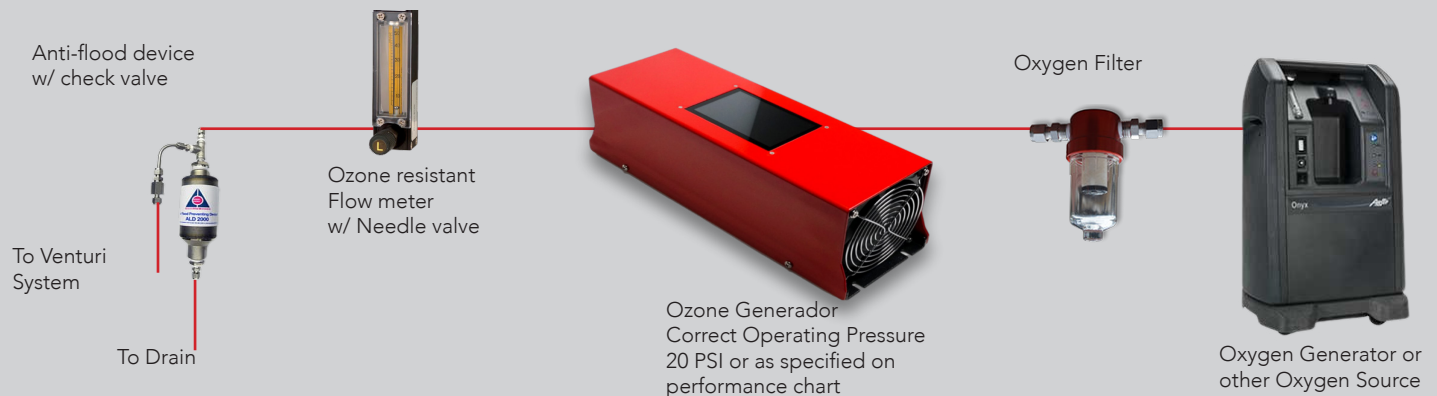
'Right on Spec Warranty' – "If in an unlikely event a product that we send you doesn't meet or exceed our published specifications, we'll send you one that does or refund your money if we can't.

HIGH-PRESSURE OPTIONS ARE AVAILABLE

Absolute Ozone | Ozone generators can be tuned to work at higher pressure up to 80 PSIG (95 PSIA), which removes the necessity of installing ozone pressure booster and it saves money on the booster and its service/maintenance. 30 - 80 PSIG pressure range is ideal for soil remediation applications and others where high-pressure ozone is required.

ULTRA PERFORMANCE WITH LOW OXYGEN DEMAND

It is obvious that a higher concentration of ozone in the oxygen mixture produced by Absolute Ozone generators means that much less oxygen is required for the same ozone production. e.g. ATLAS30 requires only 4 SLPM (Standard Litres Per Minute) to produce 30 g/h of ozone (not 9-14 SLPM, common in the industry today). When operating Absolute Ozone Generators you may need to purchase only 1 Oxygen concentrator instead of 2 or even 4 required by competitor's Generators.



A FEW MAJOR BRANDS THAT HAVE SUCCESSFULLY UTILIZED ABSOLUTE OZONE | OZONE GENERATORS

- 3M
- LEVI JEANS
- ABERCROMBIE & FITCH
- NASA
- GE
- OXFORD INSTRUMENTS
- HARVARD UNIVERSITY
- STANFORD UNIVERSITY
- WESTERN UNIVERSITY
- JOHNSON & JOHNSON
- US ARMY
- US NAVY
- USA GOVERNMENT
- PEPSI
- COCA COLA
- BOEING
- UNIVERSITY OF SYDNEY
- HOWARD HUGHES MEDICAL I
- CANADIAN TIRE
- ENBRIDGE
- GOVERNMENT OF CANADA
- ALBERTA GOVERNMENT
- OAK RIDGE NATIONAL LABORATORY
- LAM RESEARCH
- INNOVOTECH
- SQWINCHER
- CAITAC GROUP
- AGVENTURES
- OREGON STATE UNIVERSITY
- HALEY & ALDRICH
- VERTEX
- BERGEN FRUIT AND NUT COMPANY
- JPL (JET PROPULSION LABORATORY)
- ARCTIC CHILLER
- PARKER
- BASF - THE CHEMICAL COMPANY
- INDIANA INSTITUTE OF TECHNOLOGY
- ACKLANDS GRAINGER
- CORAL WORLD - OCEAN PARK
- WEM - WORLD WATER PARK
- GOLD'N PLUMP
- MACNEIL
- MANDALAY RESORT
- TRANSALTA GENERATION COMPANY
- BIOX
- SNC LAVALIN

GET IN TOUCH

Absolute Ozone began operations in 1985 and since then has become an international leader in the ozone generating technology and development, supplying ozone generators to over 100 countries worldwide. For the last 30 years, we have been focusing our efforts on making all projects of our clients successful and on providing the most reliable, economic, and effective ozone generators to them.

That is why we are offering a unique opportunity to all of our customers not only by providing verifiably the most advanced, effective, and economical Absolute Ozone generators to them but actually by ensuring that the equipment we provide will be effective and will make their project successful, as well as it will save them a lot of money over the time that the equipment will be working for them. Most importantly our technical assistance to our customers is complimentary, unlimited, and is absolutely free of charge.

Our assistance to our clients for over the past two decades not only provided them with the most reliable and effective working ozone systems but provided tremendous savings on operating expenses to them, as Absolute Ozone generators do not require any service repairs or maintenance first 20 years of use, when installed and used correctly.

CALL US TODAY AND LET'S DISCUSS YOUR UPCOMING OR CURRENT PROJECT

Phone: 780-486-3761
Toll Free (US & Canda): 1-877-486-3761
Email: Office@AbsoluteOzone.com
Location: 10712-181 ST NW Edmonton, Alberta, Canada T5S1K8
Website: www.AbsoluteOzone.com